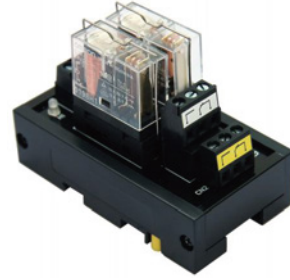


2位功率继电器模组

Q439-1/Q439-2

2 power relay module Q439-1/Q439-2



● 特点 Features

- * 输入/输出侧带浪涌吸收回路, 可有效延长继电器触点的使用寿命, 并可减缓负载侧的瞬间冲击电流;
- * NPN、PNP输入兼容, 指示灯颜色分别, 红色蓝色
- * 此系列端子台均增加继电器底座便于维护更新减少维护成本;
- * 订购前请确认负载类型和大小, 选择使用合适方式进行控制。
- * Input/output with Electrical surge absorbing circuit can extend relay contact endurance and slow down the impact current on load side
- * NPN, PNP input compatible, indicator color, red blue
- * Wrong wiring protection on the input side
- * convenient for maintenance and updating, decrease maintenance cost
- * Confirm load type and range. Choose right way to control

⚠ 注意事项 note

- 订购前确认负载类型和大小, 选择使用合适方式进行控制。
- 和PLC连接时, 请勿必使用本公司开发的与之对应的专用电缆线。
- Before ordering, please confirm the load type and size, choose the suitable way to control.
- When PLC connection, please be sure to use the company developed and the corresponding special cable.

● 部品详细参数 Parts detailed parameters

欧式接线端子	主体材料 Body Material	PA 66V-0防火等级	认证 Authenticate	UL, CE, RoHS
	端子材料 Terminal Material	磷铜	额定电流 Rated current	10A
	电镀层 Plating	镀锡	扭矩 Torque	0.4NM(3.5lb-in)
端子主体	主体材料 Body Material	PA 66V-0防火等级	认证 Authenticate	CE
	端盖材料 Cover Material	PC V-0防火等级	固定螺丝材料 Fixing screws Material	SUS304
	扣件 Fasteners	PC V-0防火等级	PCB板材料 PCB board material	FR-4

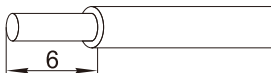
● 发货日期 Ship Date

17:00前订购的库存品可以当日发货 Delivery immediately with confirmed order before 17:00PM day off when there is stock in the warehouse	1~8个 1-8 pcs	9个以上 More than 9pcs
	次日(当日)发货 1-2 day	另定发货时间 Agreed by both parties

1. 最小起订量1个正常交期7~10天;
 2. 特殊产品交期20天以上;
 3. 非损耗品非人为损坏, 一年包换, 5年包修;
- 1: MOQ 1 PCS delivery date 7-10 days for regular models
2: more than 20 days for customized models
3: Guarantee : one year refundable and 5 year warranty under condition of non-human forces damage

● 适合电线 Suitable wier

1.5 mm²Following/ AWG16 ;
剥线长度 : 6mm

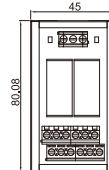


规格参数 Specifications

型号 Type	Q439-1	Q439-2	
触点构成 Conduct structure	1C	2C	
触点材料 Conduct material	银镍 AgNi		
保护等级 Protection level	IP40 (封闭式) IP40 (Closure)		
额定控制容量(电阻负载) Rated control capacity (resistor load)	10A250VAcDc\12A30Vdc	5A250VAc\8A30Vdc	
接触电阻(初始值)*1 Contact resistor (initial value)*1	50M Ω以下 Below 15M Ω		
启动时间 Starting time	15ms以下 Below 15ms		
释放时间 Releasing time	10ms以下 Below 10ms		
耐电压 withstand voltage	线圈与线圈间 between the coil and coil	5,000VAc, 1分钟 5000 VAc, 1min	5,000VAc, 1分钟 5000VAc, 1min
	同级触点间 Homologous contact	1,000VAc, 1分钟 1000VAc, 1min	1,000VAc, 1分钟 1000VAc, 1min
	异级触点间 heterologous contact	—	3,000VAc, 1分钟 3000VAc, 1min
耐震动 Vibration resistance	耐久性 durability	频率10-55HZ 单振幅0.75mm Frequency 10-55 HZ Single Amplitude 0.75mm	频率10-55 HZ Single Amplitude 0.75mm
	误动性 false action	频率10-55HZ 单振幅0.75mm Frequency 10-55 HZ Single Amplitude 0.75mm	频率10-55 HZ Single Amplitude 0.75mm
抗冲击力 Impact resistance	耐久性 durability	1,000m/s ²	1,000m/s ²
	误动性 false action	NO触点: 200m/s ² NOconduct: 200m/s ² NO触点: 200m/s ² NOconduct: 200m/s ²	NO触点: 200m/s ² NOconduct: 200m/s ² NO触点: 200m/s ² NOconduct: 200m/s ²
电气使用寿命(额定负载) Electrical service life (rated load)	AC负载: 200,000次以上(切换频率: 1,800次/小时) AC load: more than 200,000 (switch frequency: 1800 times/hour) DC负载: 100,000次以上(切换频率: 1,800次/小时) DC load: more than 100,000 (switch frequency: 1800 times/hour)	AC负载: 200,000次以上(切换频率: 1,800次/小时) AC load: more than 200,000 (switch frequency: 1800 times/hour) DC负载: 100,000次以上(切换频率: 1,800次/小时) DC load: more than 100,000 (switch frequency: 1800 times/hour)	AC负载: 200,000次以上(切换频率: 1,800次/小时) AC load: more than 200,000 (switch frequency: 1800 times/hour) DC负载: 100,000次以上(切换频率: 1,800次/小时) DC load: more than 100,000 (switch frequency: 1800 times/hour)
机械使用寿命(无负载) Mechanical service life (no load)	AC负载: 30,000,000次以上(切换频率: 1,800次/小时) AC load: more than 30,000,000 (switch frequency: 1800 times/hour) DC负载: 50,000,000次以上(切换频率: 1,800次/小时) DC load: more than 50,000,000 (switch frequency: 1800 times/hour)	AC负载: 30,000,000次以上(切换频率: 1,800次/小时) AC load: more than 30,000,000 (switch frequency: 1800 times/hour) DC负载: 50,000,000次以上(切换频率: 1,800次/小时) DC load: more than 50,000,000 (switch frequency: 1800 times/hour)	AC负载: 30,000,000次以上(切换频率: 1,800次/小时) AC load: more than 30,000,000 (switch frequency: 1800 times/hour) DC负载: 50,000,000次以上(切换频率: 1,800次/小时) DC load: more than 50,000,000 (switch frequency: 1800 times/hour)
使用环境温度 environment temperature *3	-40~+70°C (无结冰) -40~+70°C (no frozen)	-40~+70°C (无结冰) -40~+70°C (no frozen)	-40~+70°C (无结冰) -40~+70°C (no frozen)
使用环境温度 environment temperature *3	5-85% RH (无结露) 5-85% RH (Non Condensing)	5-85% RH (无结露) 5-85% RH (Non Condensing)	5-85% RH (无结露) 5-85% RH (Non Condensing)
保存环境温度 environment temperature	-55~+85%	-55~+85%	-55~+85%

外形图 Dimensions

正视图



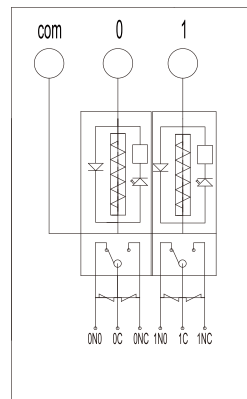
侧视图



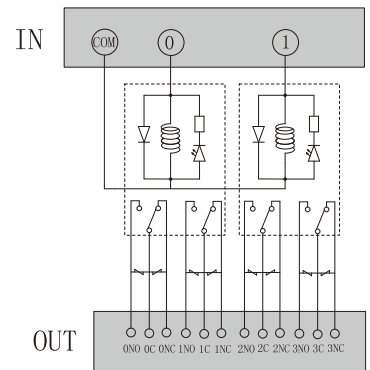
(单位:mm)

- 用2个M4的螺丝可固定在零件安装的地方, 建议使用M4X16的螺丝, 螺钉孔深3mm以上
- 可安装在标准35mm的DIN导轨上
- Screw Mounting use M4*16 screw, screw hole depth: 3mm.
- DIN Rail Mounting Standard 35mm DIN RAIL.

配线图 Wiring Diagram



Q439-1



Q439-2