

防水接线盒 Waterproof junction box

产品特点 Product characteristics

- *本产品为接线模块，对应各种终端输入、输出信号连接使用；
 - *配有10组3P信号输入口，可接入2线制或3线制信号；
 - *每一路有LED灯显示信号状态，便于排查和检修；
 - *可安装在条件较差的环境中、机台上，便于收集信号线，避免线束繁乱；
- * This product is a wiring module, which can be used for connecting various terminal input and output signals;
- * Equipped with 10 sets of 3P signal input ports, which can access 2-wire or 3-wire signals;
- * Each road has LED lights to display signal status, which is convenient for troubleshooting and maintenance;
- * It can be installed in a poor environment and on a machine, which is convenient for collecting signal lines and avoiding the confusion of wiring harnesses;

使用方法 Specifications



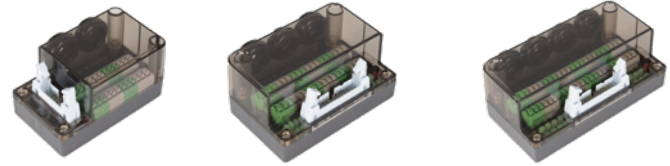
1. 调松1、2号口，拧下四颗固定螺丝，将上壳打开；
 2. 将接线盒用M4的螺丝固定；
 3. 将终端输入输出线束通过2号口，插入对应的电源、信号位；
 4. 将24V、0V和IO线束通过1号口，插入对应的电源、信号位；
 5. 锁紧1.2号口，将上壳盖好，锁紧四颗固定螺丝；
1. Loosen ports 1 and 2, unscrew four fixing screws, and open the upper shell;
 2. Fix the junction box with M4 screws;
 3. Insert the terminal I/O wiring harness through port 2, and insert the corresponding power and signal bits;
 4. Plug the 24V, 0V and IO harnesses into the corresponding power and signal bits through port 1;
 5. Lock the No.1.2 port, cover the upper shell, and lock the four fixing screws;

规格参数 Specifications

输入 Input	额定电流 Nominal operating current	1A
	额定电压 Nominal coil voltage	DC24V

发货日期 Ship Date

订货单位 Order Unit	1-50 (个)	51 (个) -
出货日期 Shipping Date	3 days	7 days



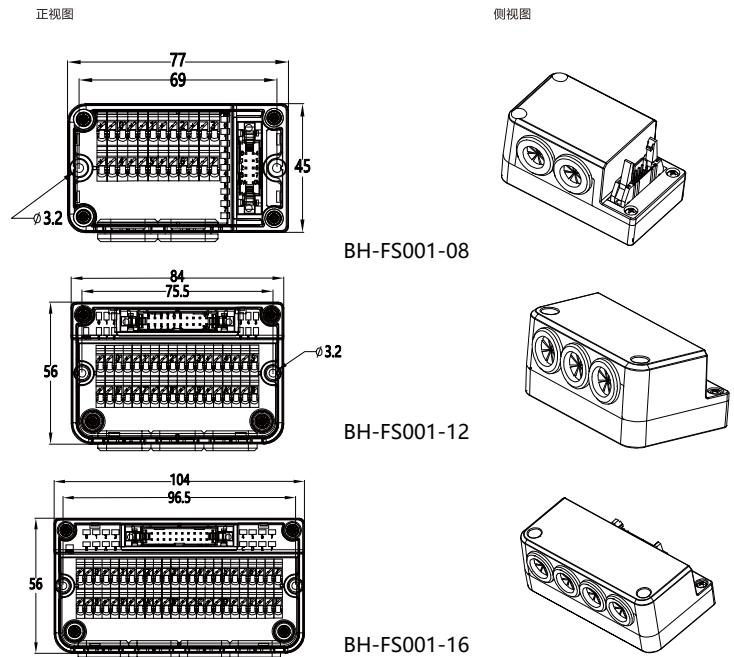
BH-FS001-08

BH-FS001-12

BH-FS001-16



外形图 Dimensions



接线图 Connection Diagram

