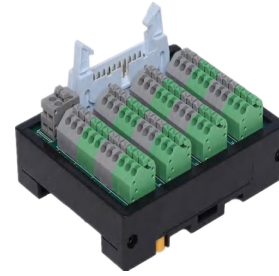


16位输入输出端子模块 S148

16-bit input output terminal module S148



S148

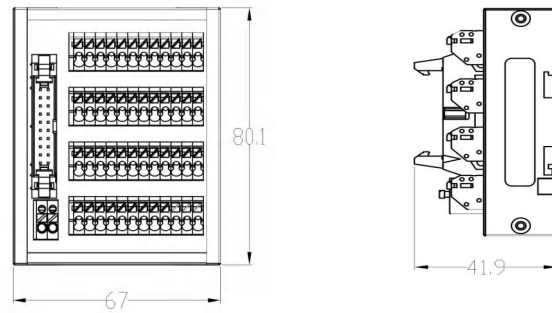


输入侧额定值/性能 Rated current and voltage specification

额定电流 Nominal operating current	1A
额定电压 Nominal coil voltage	DC24V
适合电线 For wire	1.5 mm ² Following / AWG16

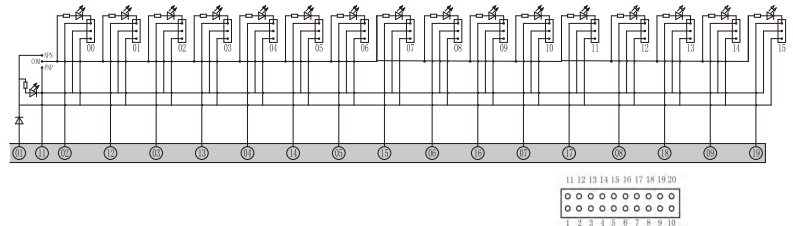
外形图 Dimensions

正视图 侧视图 (单位:mm)



- 用2个M4的螺丝可固定在零件安装的地方, 建议使用M4X16的螺丝, 螺纹孔深3mm以上
- 可安装在标准35mm的DIN导轨上
- Screw Mounting: use M4*16 screw, screw hole depth: 3mm.
- DIN Rail Mounting: Standard 35mm DIN RAIL.

配线图 Wiring Diagram



特点 Features

本接线板为终端输入型插口板, 对应各种终端输入信号连接使用; 配有16组3P信号输入口, 可接入2线制或3线制信号; 使用20P端子台与控制器端连接, 方便进行远程控制使用; 采用动作LED显示, 动作状态一目了然; 配合本公司本系列其它产品, 完全实现高效率省配线的连接。

This terminal board is a terminal input panel, applicable to the connection of all kinds of terminal input signals; It has 16 sets of 3pin signal input ports which can accept 2-wire or 3-wire system signals; A 20pin terminal block is used to connect the controller, convenient for remote control; Utilizes LED display to display operating status. When used in combination with other B series products, it can increase the efficiency of wiring work and saves time;

部品详细参数 Parts detailed parameters

MIL 插孔连接器	主体材料 Body Material	PBT V-0防火等级	参考标准 Reference Standard	UL
端子材料 Terminal Material	铜合金		额定电流 Rated current	2.0A
电镀层 Plating	锌角镀金		接触电阻 Contact resistance	<20毫欧
主体材料 Body Material	PA 66V-0防火等级	认证 Authenticate		UL, CE, RoHS
端子材料 Terminal Material	磷铜	额定电流 Rated current		10A
电镀层 Plating	镀锡	扭矩 Torque		0.4NM(3.5lb-in)
主体材料 Body Material	PA 66V-0防火等级	认证 Authenticate		CE
端盖材料 Cover Material	PC V-0防火等级	固定螺丝材料 Fixing screws Material		SUS304
扣件 Fasteners	PC V-0防火等级	PCB板材料 PCB board material		FR-4

发货日期 Ship Date

17:00前订购的库存品可以当日发货 Delivery immediately with confirmed order before 17:00PM day off when there is stock in the warehouse	1~8个 1-8 pcs	9个以上 More than 9pcs
	次日(当日)发货 1-2 day	另定发货时间 Agreed by both parties

1. 最小起订量1个正常交期7~10天;
 2. 特殊产品交期20天以上;
 3. 非损耗品非人为损坏, 一年包换, 5年包修;
- 1: MOQ 1 PCS delivery date 7-10 days for regular models
2: more than 20 days for customized models
3: Guarantee: one year refundable and 5 year warranty under condition of non-human forces damage

关联产品 Related products

L110-2
L110-2D

注: 见本册缆线系列

剥线长度 Wire stripping Recommendation

