

面板安装式USB转接器

Panel mounted USB adapter

产品特点 Product characteristics

采用面板安装, 不开柜门也可以进行柜内外的数据传送
可作为USB转换插口使用
使用螺母固定, 安装简便。
利用防尘密封圈保护插口。防尘密封圈与垫片一体化

Panel mounted, Data transfer inside and outside the cabinet can also be carried out without opening the door;
Can be used as a USB conversion jack;
Fixed with nuts, Easy to install.
Protecting socket with dust-proof sealing ring, Integration of Dust-proof Sealing Ring and Gasket.

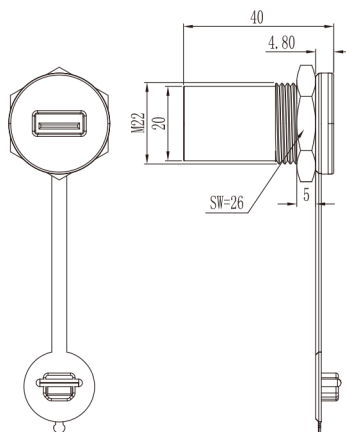


接线图 Connection Diagram

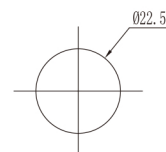


C-U22-AA-3.0

外形图 Dimensions



钣金开孔尺寸



USB类型:USB2.0 USB type:USB2.0

外壳颜色 Color	工作温度 operation temperature	工作湿度 operation temperature	安装尺寸 Installation dimensions
黑色 black	0~50℃	40~70%RH(无结露) 40~70%RH(Non Condensing)	Ø22mm

材质和加工方式 Material and processing method:

部件 component	材质 Material	加工方式 processing method
USB端子 USB Terminal	磷青铜 Phosphor bronze	镀金 Gold plating
USB外壳 USB shell	黄铜 brass	镀镍 Nickel plating
模制 Molding	PBT	铸造 Casting
防尘盖 Dust cover	PVC	铸造 Casting
六角螺母 Nut	铜 copper	镀镍 Nickel plating

选型参考: Type Selection Reference:

型号 Mode	C-U22-AA	C-U22-AA-3.0
说明 Explain	正反两面均为A型母连接器 Type A female connector on both sides	正反两面均为A型母连接器 Type A female connector on both sides

发货日期 Ship Date

17:00前订购的库存品可以当日发货 Delivery immediately with confirmed order before 17:00PM day off when there is stock in the warehouse	1~8个 1-8 pcs	9个以上 More than 9pcs
	次日(当日)发货 1-2 day	另定发货时间 Agreed by both parties

1. 最小起订量1个正常交期7~10天;
 2. 特殊产品交期20天以上;
 3. 非损耗品非人为损坏, 一年包换, 5年包修;
- 1: MOQ 1 PCS delivery date 7-10 days for regular models
2: more than 20 days for customized models
3: Guarantee : one year refundable and 5 year warranty under condition of non-human forces damage